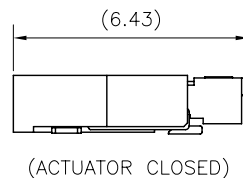
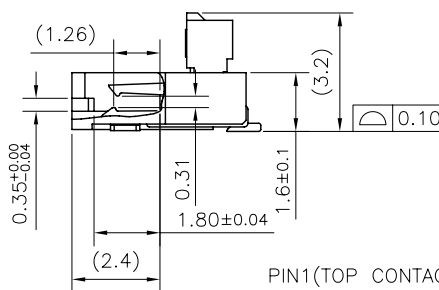
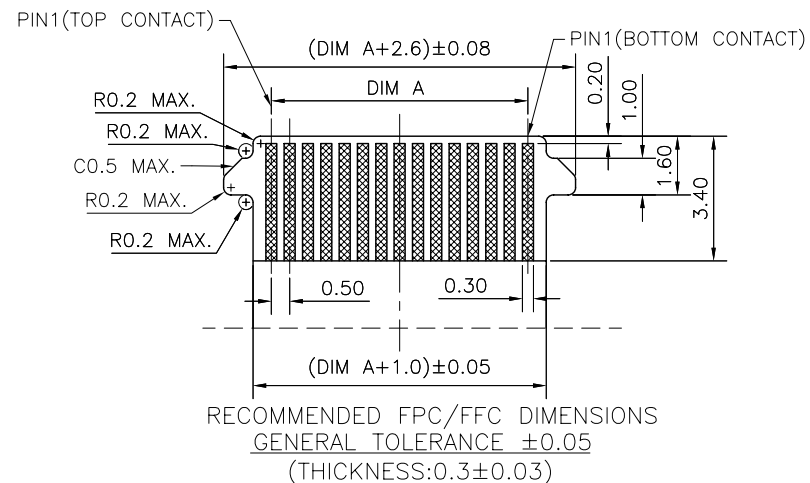


RECOMMENDED PCB LAYOUT(TOP VIEW)
GENERAL TOLERANCE ± 0.05



NOTES:

- MATERIAL:
 - HOUSING: THERMOPLASTIC, HIGH TEMP., UL94V-0; COLOR:NATURAL.
 - CONTACT: COPPER ALLOY
 - FITTING NAIL: COPPER ALLOY
 - ACTUATOR : THERMOPLASTIC, HIGH TEMP., UL94 V-0; COLOR:BLACK.
 - FINISH:
 - CONTACT:
 - 50u" MIN. NICKEL PLATING OVERALL.
 - M: 3u" MIN GOLD PLATING ON CONTACT
 - GOLD FLASH PLATING ON SOLDER TAIL
 - FITTING NAIL:
 - 50u" MIN. NICKEL PLATING OVERALL.
 - 80u" MIN. MATT TIN ON SOLDER TAIL
 - SPEC. PLS. REFER TO PS-51642-XXXX-XXX
 - PACKAGE PLS. REFER TO 51642-XXXX-XX-TRP
5. PART NUMBER
- 51642-XXX X X-XXX
- CKTS ———— 001: NONE
- PACKING ———— PLATING
- O: T&R M: 3u" MIN. GOLD PLATING ON CONTACT
- GOLD FLASH PLATING ON SOLDER TAIL



CKT	DIM A	DIM B	DIM C	DIM D	DIM E
42	20.50	26.26	23.21	26.21	25.36

一般公差 TOLERANCES X ± 0.5 XX ± 0.15 X ± 0.25 XXX ± 0.1 ANGLES $\pm 2^\circ$	宏致電子股份有限公司 Aces Electronics Co.,Ltd.	
檢驗尺寸標示 SYMBOLS \oplus \otimes INDICATE CLASSIFICATION DIMENSION \otimes MARK IS CRITICAL DIM. \oplus MARK IS MAJOR DIM.	品名 (TITLE) 0.5mm PITCH EASY ON FPC SMT R/A D/C TYPE 1.6H 圖號 (DWG NO.) 51642-XXXX-XXX	製圖 (DR) XUBIN '17/04/26 審核 (CHKD) BRAVE 核准 (APPD) FRANK
表面處理 (FINISH)	比例 (SCALE) 5:1	單位 (UNITS) mm
		張數 (SHEET) 1 OF 1 SIZE A4 REV A